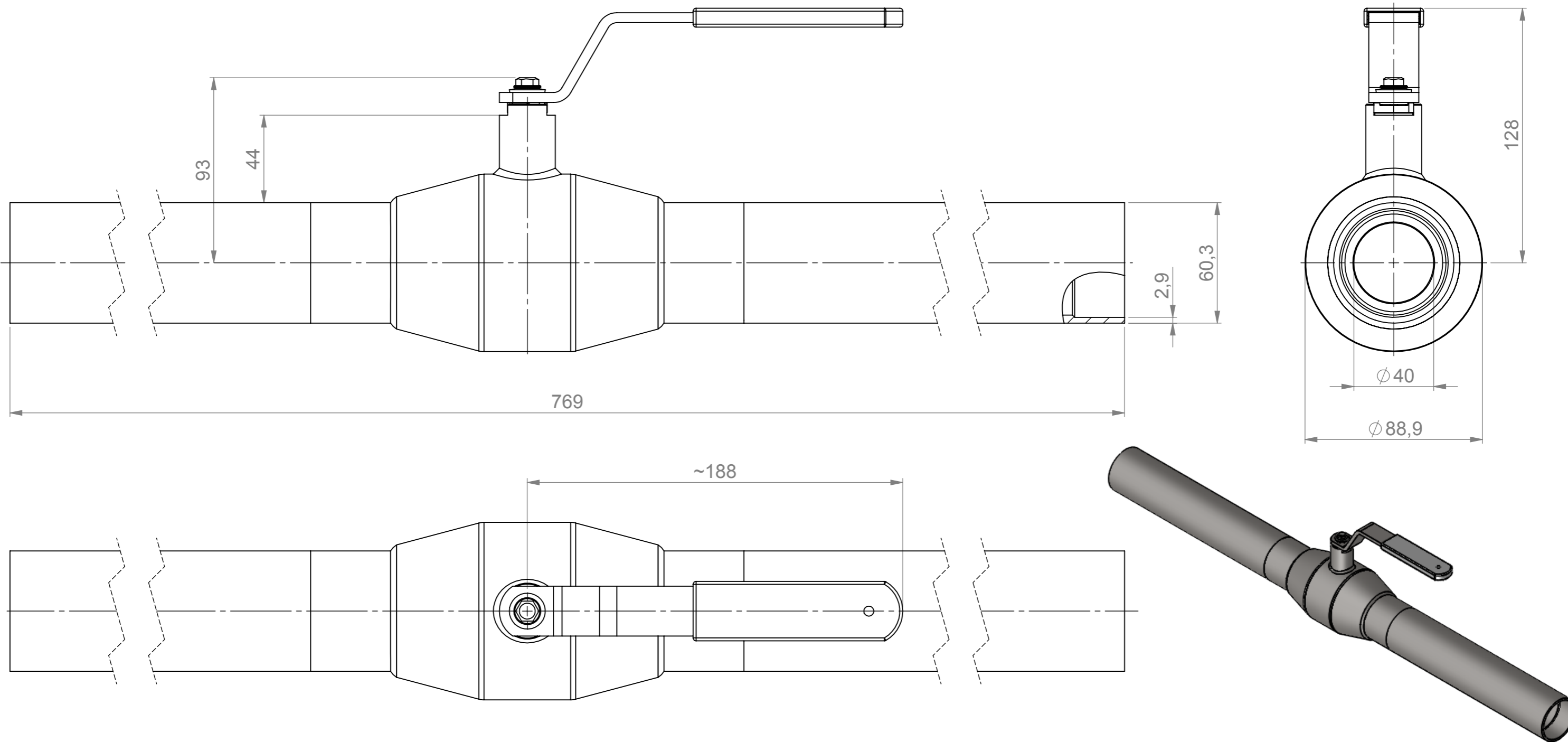


Main dimension drawing for customer use		Description St Valve DN40W/W	
		Weight	L=805
		kg	Haelok
Drawn by	MKo 30.10.2017	 www.vexve.com	Drawing number 28440820-C
Approved by	SSi 30.10.2017		Product number 28440820



Main dimension drawing for customer use		Description St Valve DN50 W/W	
		Weight	L=769
		kg	Haelok
Drawn by	MKo 30.10.2017	 www.vexve.com	Drawing number 28440920-C
Approved by	SSi 30.10.2017		Product number 28440920