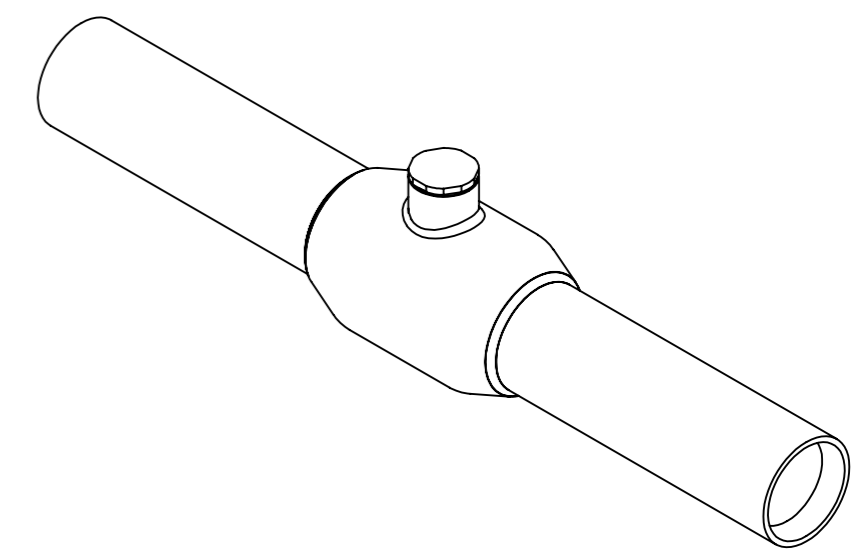
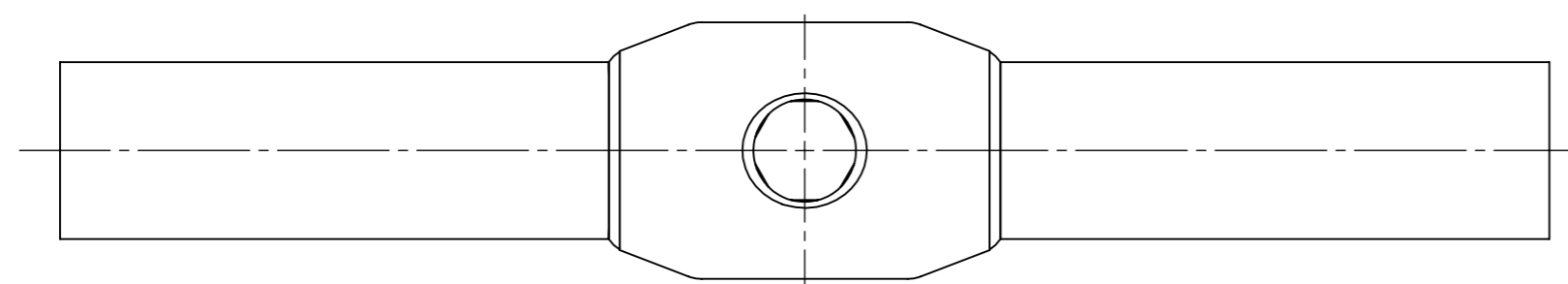
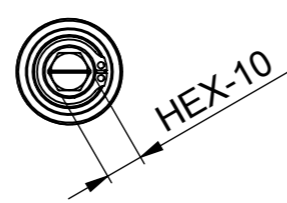
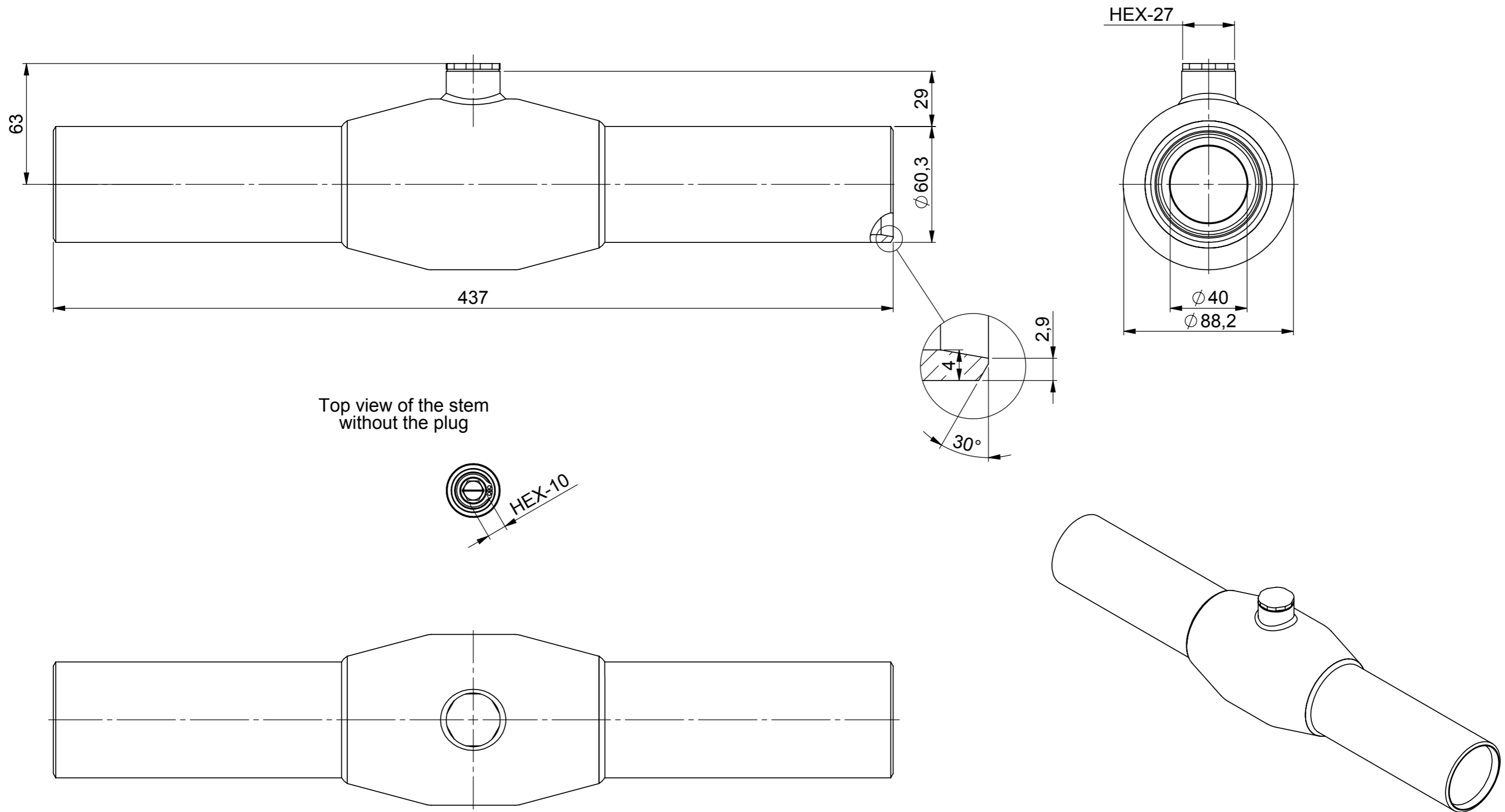


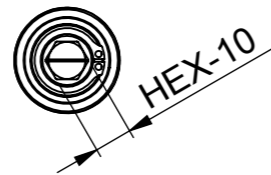
Top view of the stem  
without the plug



Main dimension drawing for customer use		Description Branching valve DN40 W/W	
		Weight	Haelok
		kg	
Drawn by	TOj 08.12.2017	 www.vexve.com	Drawing number 28444820-C
Approved by	SSi 12.12.2017		Product number <b>28444820</b>



Top view of the stem  
without the plug



Main dimension drawing for customer use		Description Branching valve DN50 W/W	
		Weight	Haelok
		kg	
Drawn by	TOj 08.12.2017	 www.vexve.com	Drawing number 28444920-C
Approved by	SSi 12.12.2017		Product number <b>28444920</b>